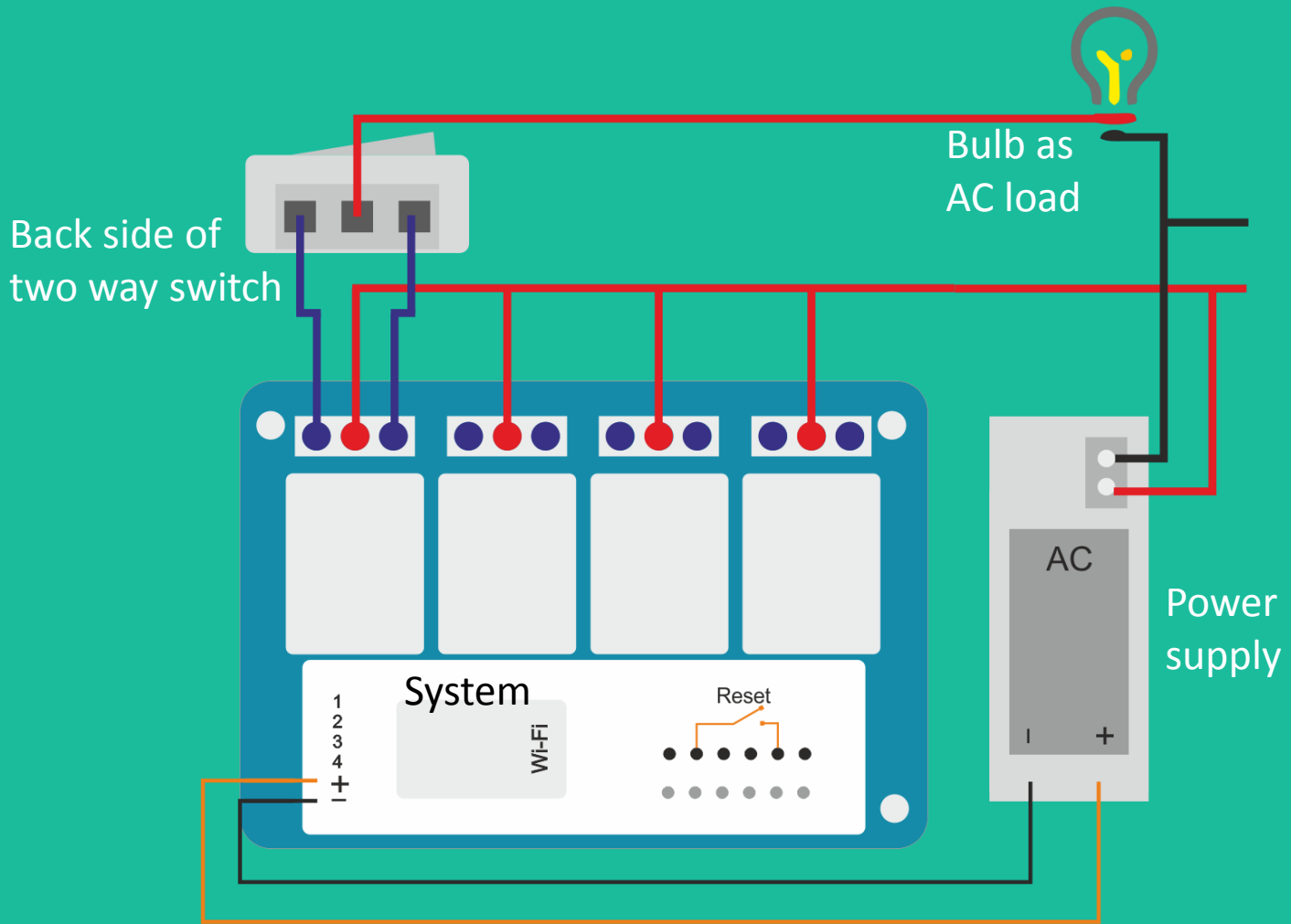


# Black Sparrow

## System wiring & Setup

# Material require

1. System
2. Two way conventional switch
3. Mini Power supply
4. Wire



# Thank You

[info.blacksparrow@gmail.com](mailto:info.blacksparrow@gmail.com)

[M] : 78787 42124